

**LAUNDRY SINK FAUCET
K-15270**

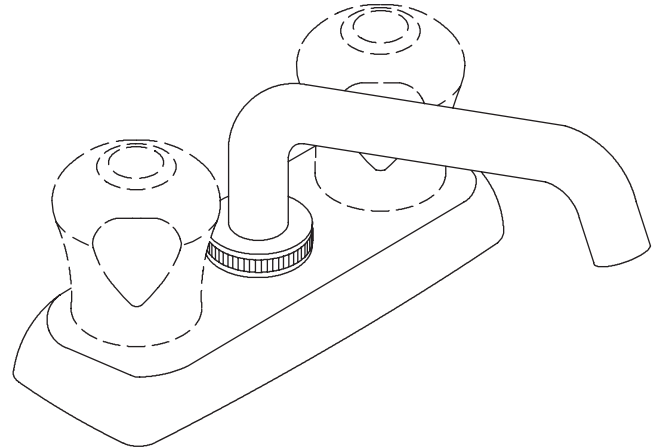
Features

- Metal construction
- Reversible quarter-turn washerless ceramic disc valves
- For 4" (10.2 cm) centers
- 6" (15.2 cm) plain end swing spout reach
- Available with sculptured acrylic, blade or lever handles
- Lower flow aerator options available (refer to the Kohler Price Book)
- 2.2 gallons (8.3 L) per minute maximum flow rate

Codes/Standards Applicable

Specified model meets or exceeds the following at date of manufacture:




- ADA
- ASME A112.18.1/CSA B125.1
- ICC/ANSI A117.1
- Energy Policy Act of 1992
- NSF 61
- All applicable US Federal and State material regulations



Colors/Finishes

- CP: Polished Chrome

Specified Model

Model	Description	Sculptured Acrylic 	Blade  ADA	Lever  ADA
K-15270	Laundry sink faucet	<input type="checkbox"/> CP		
K-15270-B	Laundry sink faucet		<input type="checkbox"/> CP	
K-15270-4	Laundry sink faucet			<input type="checkbox"/> CP

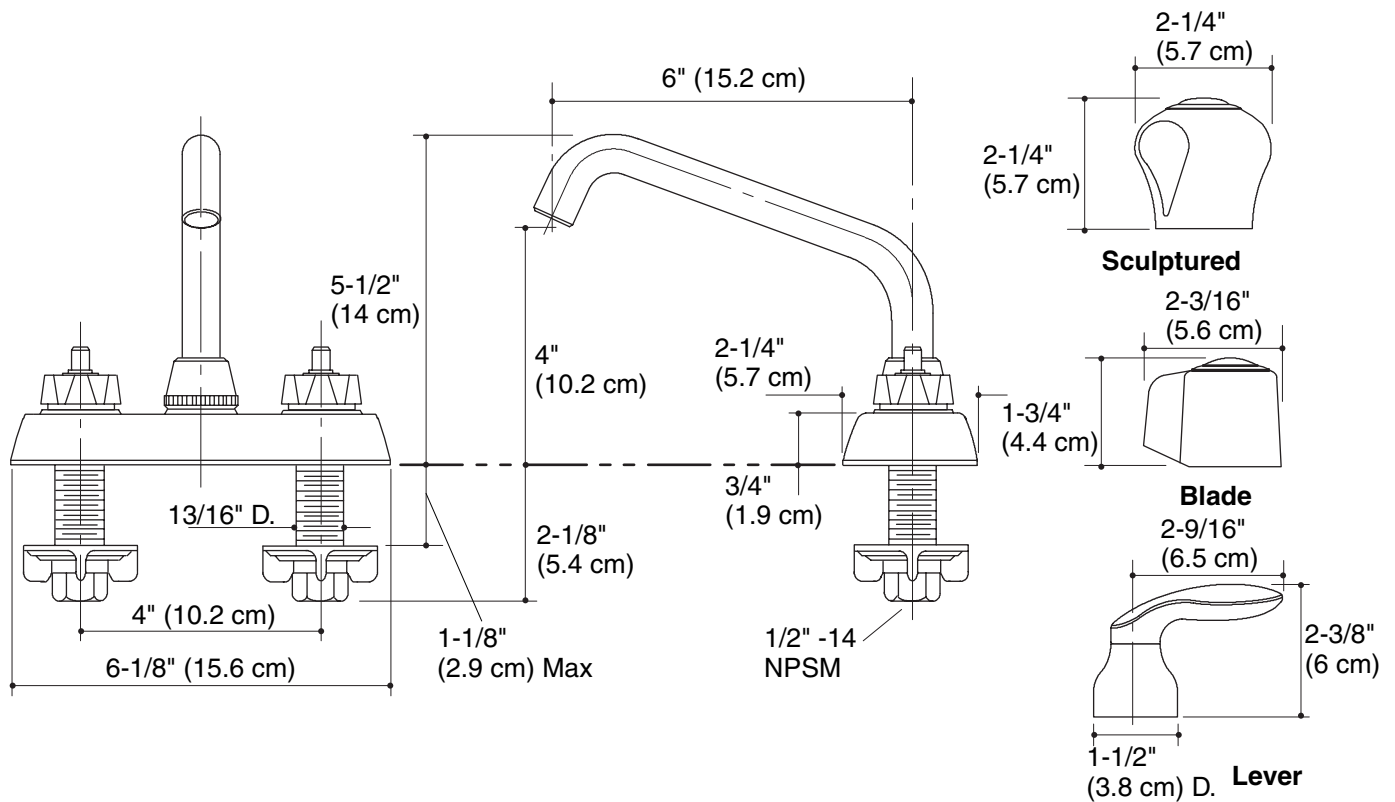
Product Specification

The two-handle centerset laundry sink faucet shall be of metal construction. Product shall have a maximum flow rate of 2.2 gallons (8.3 L) per minute with lower flow aerator options available (refer to the Kohler Price Book). Product shall feature reversible quarter-turn washerless ceramic disc valves and a 6" (15.2 cm) plain end swing spout reach. Product shall be for 4" (10.2 cm) centers. Product shall be available with sculptured acrylic, blade, or lever handles. Faucet shall be Kohler Model K-15270-____-CP.

CORALAIS®

Installation Notes

Install this product according to the installation guide.



Product Diagram