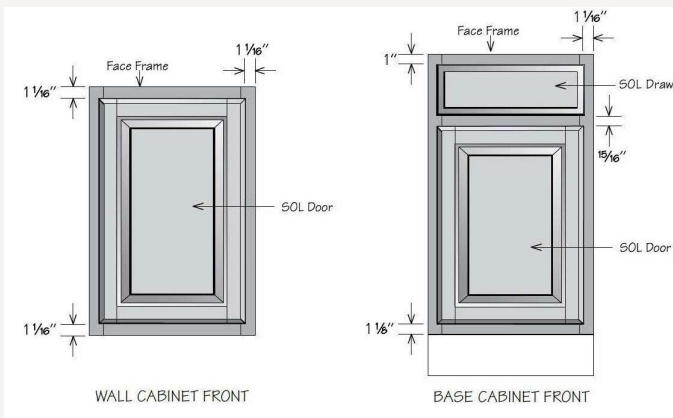


# Partial Overlay (Standard) vs. Full Overlay Doors

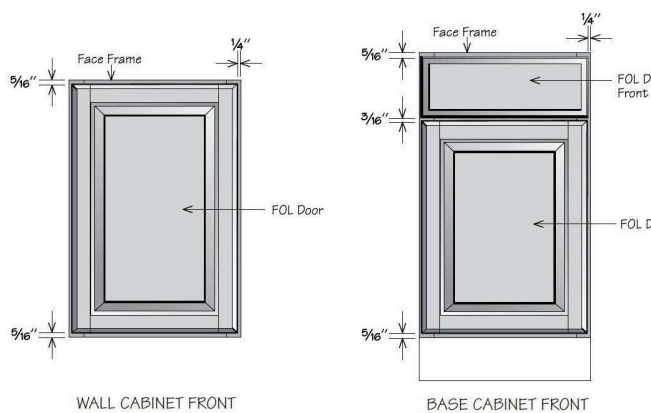
## Partial Overlay (Standard) Doors

Partial or standard overlay doors only cover the cabinet openings. The face frame of the cabinet shows more, creating a traditional kitchen look.



## Full Overlay Doors

Full overlay doors are a more popular and stylish look. A full overlay cabinet door style means that there is very little cabinet face frame showing around each door and drawer front, creating a living space with a modern style and seamless appearance.



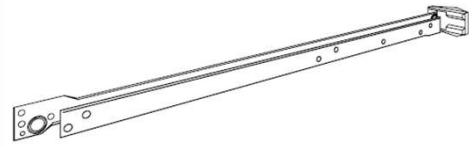
# Drawer Construction

## Standard Drawers

## Standard & Level A

Standard drawer boxes have a stapled 1/2" thick engineered wood drawer box with stapled joints. This glide system features self-aligning side mounted drawer glides and are constructed of epoxy coated steel.

Side-Mounted Drawer Glides



## Dovetail Construction Drawers

## Level B

Dovetail drawers are 5/8" thick solid hardwood boxes, plywood bottoms and have dovetail constructed joints. Which provides stronger drawer box joints and construction. The full-extension hidden glide system features dual-telescoping glides are supported by precision roller-carriage bearings providing smooth, stable and quiet operation. This glide system opens fully to provide complete access to drawer contents.

Full-Extension Hidden Glides



## Dovetail Drawers with Cushion Close Door Hinges with Cushion Close

## Level C & D

The Cushion Close Glide Option provides all of the features and benefits of the Dovetail Glide Option with the addition of an integrated slow-close mechanism that reduces slamming and noise. This popular optional also includes Cushion Close door hinges, a slow-closing mechanism that helps reduce slams and noise.